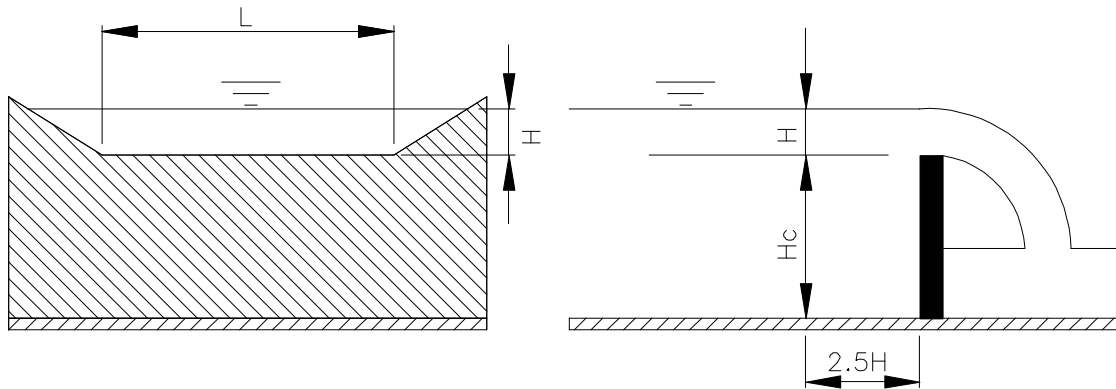
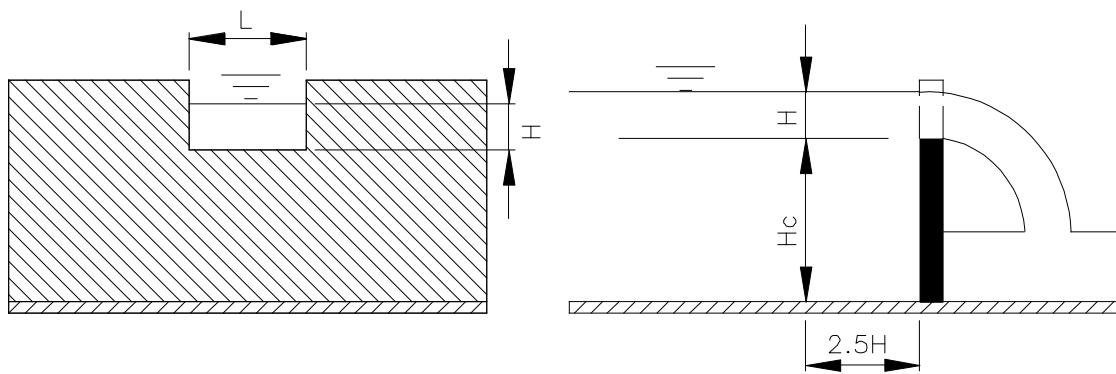


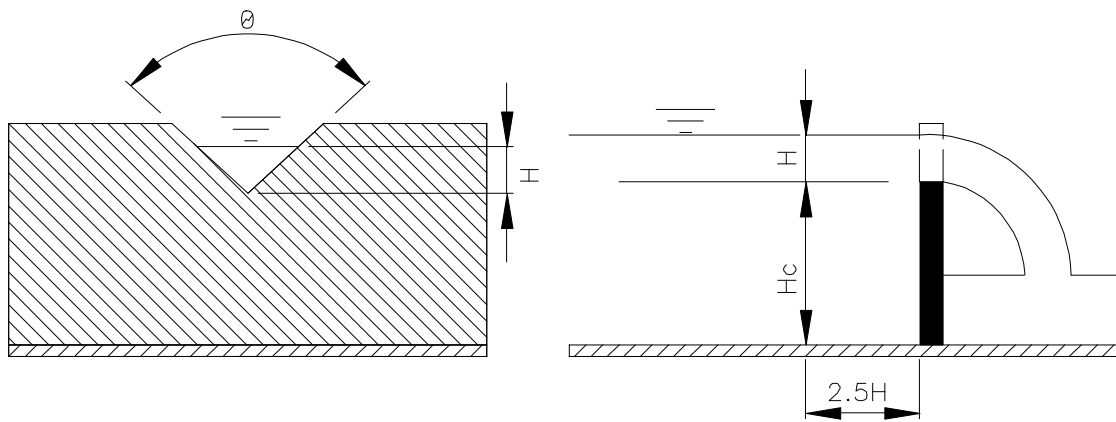
Weir Configurations



A) SHARP CRESTED WEIR WITH NO CONTRACTIONS



B) SHARP CRESTED WEIR WITH TWO END CONTRACTIONS



C) V-NOTCH WEIR