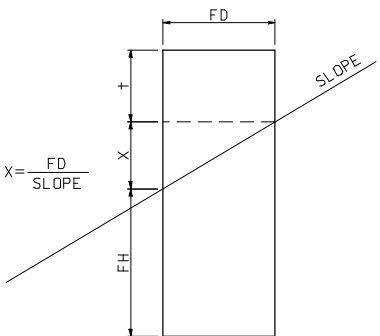


DWG	TYPE	DIMENSIONS													DIMENSION "'+" & CUBIC YARDS FOR LEVEL GROUND													ADDITIONAL FOR SLOPES											
		FB	FD	FH	2'-3"	2'-4"	2'-5"	2'-6"	2'-7"	2'-8"	2'-9"	2'-10"	2'-11"	3'-0"	C.Y.	C.Y.	C.Y.	C.Y.	C.Y.	C.Y.	C.Y.	C.Y.	C.Y.	C.Y.	C.Y.	C.Y.	C.Y.	X	C.Y.	X	C.Y.	X	C.Y.	X	C.Y.				
903.05	S-1310		2'-6"	5'-0"	1.32	1.33	1.35	1.36	1.38	1.39	1.41	1.42	1.44	1.45	5"	0.08	7 1/2"	0.11	10"	0.15	1'-3"	0.23																	
	S-1312		2'-6"	5'-6"	1.59	1.61	1.62	1.64	1.65	1.67	1.68	1.70	1.71	1.73	5"	0.08	7 1/2"	0.11	10"	0.15	1'-3"	0.23																	
	S-2315		2'-6"	8'-0"	1.86	1.88	1.89	1.91	1.92	1.94	1.95	1.97	1.98	2.00	5"	0.08	7 1/2"	0.11	10"	0.15	1'-3"	0.23																	
903.06	S-2316.5		2'-6"	9'-0"	2.05	2.06	2.08	2.09	2.11	2.12	2.14	2.15	2.17	2.18	5"	0.08	7 1/2"	0.11	10"	0.15	1'-3"	0.23																	
	S-2318		3'-0"	10'-0"	3.21	3.23	3.25	3.27	3.29	3.32	3.34	3.36	3.38	3.40	6"	0.13	9"	0.20	1'-0"	0.26	1'-6"	0.39																	
	S-27716		3'-0"	10'-0"	3.21	3.23	3.25	3.27	3.29	3.32	3.34	3.36	3.38	3.40	6"	0.13	9"	0.20	1'-0"	0.26	1'-6"	0.39																	
	S-2018		3'-6"	11'-0"	4.72	4.75	4.78	4.81	4.84	4.87	4.90	4.93	4.96	4.99	7"	0.21	10 1/2"	0.31	1'-2"	0.42	1'-9"	0.62																	
	S-27718		3'-6"	11'-0"	4.72	4.75	4.78	4.81	4.84	4.87	4.90	4.93	4.96	4.99	7"	0.21	10 1/2"	0.31	1'-2"	0.42	1'-9"	0.62																	
	S-23316.5		3'-6"	12'-0"	5.08	5.11	5.14	5.17	5.20	5.23	5.26	5.29	5.31	5.34	7"	0.21	10 1/2"	0.31	1'-2"	0.42	1'-9"	0.62																	
	S-23317		3'-6"	12'-0"	5.08	5.11	5.14	5.17	5.20	5.23	5.26	5.29	5.31	5.34	7"	0.21	10 1/2"	0.31	1'-2"	0.42	1'-9"	0.62																	
	S-20018		4'-0"	12'-0"	6.63	6.67	6.71	6.75	6.79	6.83	6.88	6.90	6.94	6.98	8"	0.31	11'-0"	0.47	1'-4"	0.62	2'-0"	0.93																	
	C-1710	4'-0"	2'-0"	4'-0"	1.02	1.03	1.04	1.05	1.06	1.07	1.08	1.09	1.10	1.11	6"	0.06	9"	0.09	1'-0"	0.12	1'-6"	0.17																	
903.07	C-1310	4'-0"	2'-0"	5'-0"	1.21	1.22	1.23	1.24	1.25	1.26	1.27	1.28	1.29	1.30	6"	0.06	9"	0.09	1'-0"	0.12	1'-6"	0.17																	
	C-2315	4'-0"	3'-0"	7'-0"	2.81	2.83	2.85	2.88	2.90	2.92	2.94	2.96	2.98	3.01	7"	0.15	10 1/2"	0.23	1'-2"	0.31	1'-9"	0.46																	
	C-2318	5'-0"	3'-6"	7'-6"	4.20	4.23	4.26	4.29	4.32	4.35	4.38	4.41	4.44	4.47	8 1/2"	0.25	11'-3/4"	0.38	1'-5"	0.50	2'-1 1/2"	0.76																	
	C-2018	5'-0"	3'-6"	8'-0"	4.43	4.46	4.49	4.52	4.55	4.58	4.61	4.64	4.67	4.70	8 1/2"	0.25	11'-3/4"	0.38	1'-5"	0.50	2'-1 1/2"	0.76																	
	B-2018	6'-0"	3'-6"	7'-6"	4.69	4.72	4.75	4.78	4.81	4.84	4.87	4.90	4.93	4.96	9"	0.27	11'-2 1/4"	0.42	1'-7"	0.56	2'-4 1/2"	0.85																	
903.08	B-23318	7'-0"	3'-6"	8'-0"	5.47	5.50	5.53	5.56	5.59	5.62	5.64	5.67	5.70	5.73	10 1/2"	0.32	11'-3 1/4"	0.47	1'-9"	0.62	2'-9 1/2"	0.94																	
	B-20018	7'-0"	3'-6"	9'-6"	6.34	6.37	6.40	6.43	6.46	6.49	6.52	6.55	6.58	6.61	10 1/2"	0.32	11'-3 1/4"	0.47	1'-9"	0.62	2'-7 1/2"	0.94																	

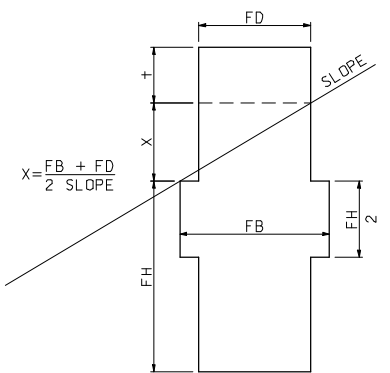
FOOTING IN ROCK

903.05	SEE NOTE																																					
903.06	SEE NOTE																																					
903.07	C-1710	3'-0"	2'-0"	2'-6"	0.74	0.75	0.76	0.77	0.78	0.79	0.80	0.81	0.82	0.83	5"	0.05	7 1/2"	0.07	10"	0.10	1'-3"	0.15																
	C-1310	3'-0"	2'-0"	2'-6"	0.74	0.75	0.76	0.77	0.78	0.79	0.80	0.81	0.82	0.83	5"	0.05	7 1/2"	0.07	10"	0.10	1'-3"	0.15																
	C-2315	3'-6"	3'-0"	3'-6"	1.70	1.72	1.75	1.77	1.79	1.81	1.83	1.85	1.88	1.90	6 1/2"	0.14	9 3/4"	0.21	1'-1"	0.28	1'-7 1/2"	0.43																
	C-2318	3'-6"	3'-6"	3'-9"	2.14	2.17	2.20	2.23	2.26	2.29	2.32	2.35	2.38	2.41	7"	0.21	10 1/2"	0.31	1'-2"	0.42	1'-9"	0.62																
	C-2018	3'-6"	3'-6"	4'-0"	2.23	2.26	2.29	2.32	2.35	2.38	2.41	2.44	2.47	2.50	7"	0.21	10 1/2"	0.31	1'-2"	0.42	1'-9"	0.62																
903.08	B-2018	3'-6"	3'-6"	3'-9"	2.14	2.17	2.20	2.23	2.26	2.29	2.32	2.35	2.38	2.41	7"	0.21	10 1/2"	0.31	1'-2"	0.42	1'-9"	0.62																
	B-23318	4'-6"	3'-6"	4'-0"	2.75	2.78	2.81	2.83	2.86	2.89	2.92	2.95	2.98	3.01	8"	0.24	11'-0"	0.36	1'-4"	0.48	2'-0"	0.71																
	B-20018	4'-6"	3'-6"	5'-0"	3.23	3.26	3.29	3.32	3.35	3.38	3.41	3.44	3.47	3.50	8"	0.24	11'-0"	0.36	1'-4"	0.48	2'-0"	0.71																

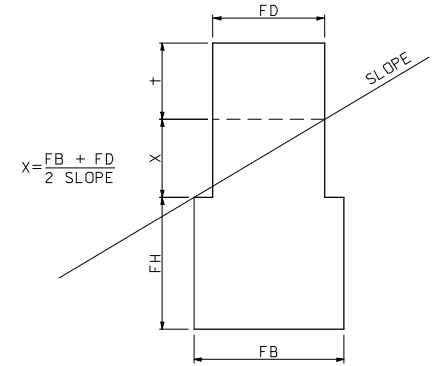
NOTE: USE NEAREST 0.1 m³ FOR EACH FOOTING ON TABULATION SHEETS & FOR PAYMENT.



STD. 903.05 & 903.06 IN EARTH OR ROCK DIMENSION FH IS MAXIMUM IN THIS TABLE. FOR MINIMUM FH IN ROCK SEE STD. DWGS. COMPUTE QUANTITIES FOR OTHER DEPTHS IN ROCK.



STD. 903.07 & 903.08 IN EARTH.



STD. 903.05 & 903.06 IN EARTH OR ROCK DIMENSION FH IS MAXIMUM IN THIS TABLE. FOR MINIMUM FH IN ROCK SEE STD. DWGS. COMPUTE QUANTITIES FOR OTHER DEPTHS IN ROCK.

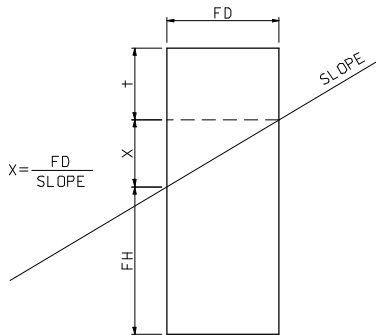
Concrete for Tubular Steel Support Footings Figure 903.3.5.6

DWG	TYPE	DIMENSIONS			DIMENSION "t" & CUBIC METERS FOR LEVEL GROUND										ADDITIONAL FOR SLOPES							
		FB	FD	FH	685	710	735	760	785	810	835	860	885	910	1:6	1:4	1:3	1:2				
		mm	mm	mm	m³	m³	m³	m³	m³	m³	m³	m³	m³	m³	X	m³	X	m³	X	m³	X	m³
903.05	S-1310		760	1525	1.00	1.01	1.02	1.04	1.05	1.06	1.07	1.08	1.09	1.10	127	0.06	190	0.09	253	0.11	380	0.17
	S-1312		760	1980	1.21	1.22	1.23	1.24	1.25	1.27	1.28	1.29	1.30	1.31	127	0.06	190	0.09	253	0.11	380	0.17
903.06	S-2315		760	2440	1.42	1.43	1.44	1.45	1.46	1.47	1.48	1.50	1.51	1.52	127	0.06	190	0.09	253	0.11	380	0.17
	S-2316.5		915	3050	2.45	2.47	2.49	2.50	2.52	2.54	2.55	2.57	2.59	2.60	153	0.10	229	0.15	305	0.20	458	0.30
	S-2318		915	3050	2.45	2.47	2.49	2.50	2.52	2.54	2.55	2.57	2.59	2.60	153	0.10	229	0.15	305	0.20	458	0.30
	S-27716		915	3050	2.45	2.47	2.49	2.50	2.52	2.54	2.55	2.57	2.59	2.60	153	0.10	229	0.15	305	0.20	458	0.30
	S-2018		1065	3355	3.60	3.62	3.64	3.66	3.69	3.71	3.73	3.75	3.78	3.80	178	0.16	266	0.24	355	0.32	533	0.47
	S-27718		1065	3355	3.60	3.62	3.64	3.66	3.69	3.71	3.73	3.75	3.78	3.80	178	0.16	266	0.24	355	0.32	533	0.47
	S-23316.5		1065	3660	3.87	3.89	3.91	3.94	3.96	3.98	4.00	4.02	4.05	4.07	178	0.16	266	0.24	355	0.32	533	0.47
	S-23317		1065	3660	3.87	3.89	3.91	3.94	3.96	3.98	4.00	4.02	4.05	4.07	178	0.16	266	0.24	355	0.32	533	0.47
	S-20018		1220	3660	5.08	5.11	5.14	5.16	5.19	5.22	5.25	5.28	5.31	5.34	203	0.24	305	0.36	407	0.48	610	0.71
	903.07	C-1710	1220	610	1525	0.93	0.94	0.94	0.95	0.96	0.97	0.97	0.98	0.99	0.99	153	0.04	229	0.07	305	0.09	458
C-1310		1220	610	1525	0.93	0.94	0.94	0.95	0.96	0.97	0.97	0.98	0.99	0.99	153	0.04	229	0.07	305	0.09	458	0.13
C-2315		1220	915	2135	2.15	2.17	2.18	2.20	2.22	2.23	2.25	2.27	2.28	2.30	178	0.12	267	0.18	356	0.23	534	0.35
C-2318		1525	1065	2285	3.20	3.23	3.25	3.27	3.29	3.32	3.34	3.36	3.38	3.40	216	0.19	324	0.29	432	0.38	648	0.58
C-2018		1525	1065	2440	3.38	3.40	3.42	3.45	3.47	3.49	3.51	3.54	3.56	3.58	216	0.19	324	0.29	432	0.38	648	0.58
903.08	B-2018	1830	1070	2285	3.60	3.62	3.64	3.67	3.69	3.71	3.73	3.76	3.78	3.80	242	0.22	363	0.33	483	0.43	725	0.65
	B-23318	2135	1070	2440	4.20	4.22	4.24	4.27	4.29	4.31	4.33	4.36	4.38	4.40	267	0.24	401	0.36	534	0.48	801	0.72
	B-20018	2135	1070	2895	4.87	4.89	4.91	4.93	4.96	4.98	5.00	5.02	5.05	5.07	267	0.24	401	0.36	534	0.48	801	0.72

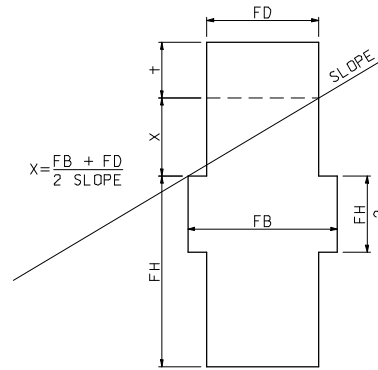
FOOTING IN ROCK

903.05	SEE NOTE																					
903.06	SEE NOTE																					
903.07	C-1710	915	610	760	0.49	0.50	0.51	0.51	0.52	0.53	0.54	0.54	0.55	0.56	127	0.04	191	0.06	254	0.07	381	0.11
	C-1310	915	610	760	0.49	0.50	0.51	0.51	0.52	0.53	0.54	0.54	0.55	0.56	127	0.04	191	0.06	254	0.07	381	0.11
	C-2315	1065	915	915	1.11	1.13	1.15	1.16	1.18	1.20	1.21	1.23	1.25	1.26	165	0.11	248	0.16	330	0.22	495	0.33
	C-2318	1065	1065	1065	1.56	1.58	1.60	1.62	1.65	1.67	1.69	1.71	1.74	1.76	178	0.16	266	0.24	355	0.32	533	0.47
	C-2018	1065	1065	1065	1.56	1.58	1.60	1.62	1.65	1.67	1.69	1.71	1.74	1.76	178	0.16	266	0.24	355	0.32	533	0.47
903.08	B-2018	1070	1070	1070	1.58	1.60	1.62	1.64	1.67	1.69	1.71	1.73	1.76	1.78	178	0.16	268	0.24	357	0.32	535	0.48
	B-23318	1370	1070	1220	1.91	1.93	1.95	1.98	2.00	2.02	2.04	2.07	2.09	2.11	203	0.18	305	0.27	407	0.37	610	0.55
	B-20018	1370	1070	1525	2.23	2.25	2.28	2.30	2.32	2.34	2.37	2.39	2.41	2.43	203	0.18	305	0.27	407	0.37	610	0.55

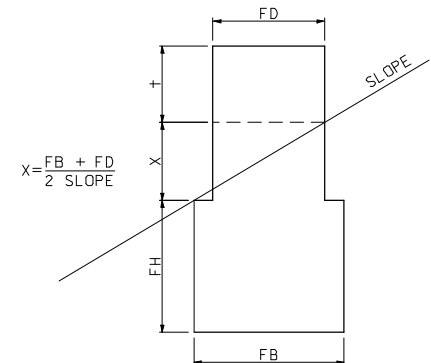
NOTE: USE NEAREST 0.1 m³ FOR EACH FOOTING ON TABULATION SHEETS & FOR PAYMENT.



STD. 903.05 & 903.06 IN EARTH OR ROCK DIMENSION FH IS MAXIMUM IN THIS TABLE. FOR MINIMUM FH IN ROCK SEE STD. DWGS. COMPUTE QUANTITIES FOR OTHER DEPTHS IN ROCK.



STD. 903.07 & 903.08 IN EARTH.



STD. 903.05 & 903.06 IN EARTH OR ROCK DIMENSION FH IS MAXIMUM IN THIS TABLE. FOR MINIMUM FH IN ROCK SEE STD. DWGS. COMPUTE QUANTITIES FOR OTHER DEPTHS IN ROCK.

Concrete for Tubular Steel Support Footings
Figure 903.3.5.6